

MSD-3200

Multi Input Indicator



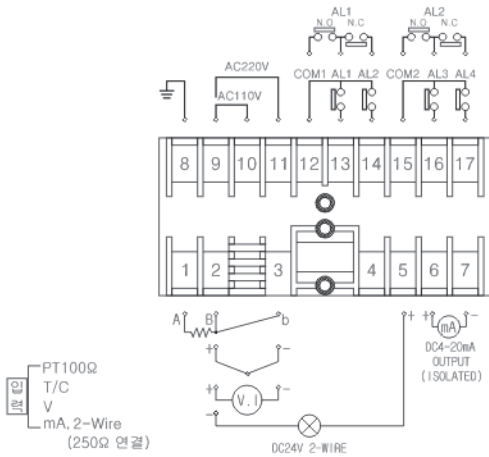
DESCRIPTION

- Universal input mode(mV, V, mA, T/C, RTD, 2Wire, mA)
- It is realized high effectiveness and high accuracy use by 16bit A/D converter
- It contains peak hold function so possible to use various application
- Relay alarm output selectable(optional) and dead band function contains
- Isolated current output(4~20mA optional) also possible with scaling function
- Contain burnout function that give high output and display warning message when sensor line was disconnected by accident or other reasons

SPECIFICATIONS

MODEL	MSD-3200		
Power Supply	DC 24V Type AC 24V Type AC Type	DC 18V ~30V (ripple 10%) 100mA AC 12V ~ 26V(50~60Hz), 4VA AC 110/220V 60Hz ±10%, 4VA	
Display Accuracy	-9999 ~ 9999, 7Segment 4 Digit ±0.2% Full Scale, ±1 Digit (25°C ±5°C)		
Input Impedance	V Type mV, V, mA Pt100Ω, T/C Type	400K Ω 1M Ω	
Sampling cycle	V Type Pt100Ω, T/C Type	200ms 400ms	
CMRR (Common Mode Rejection Ratio)	140dB or more		
NMRR (Normal Mode Rejection Ratio)	50dB or more		
Sensor Power	DC 24V / 30mA (±5% or less)		
Temp Coefficient	±0.015% / °C		
Insulation Resistance	Greater than 100MΩ with DC500V		
Dielectric Strength	Input - Power	AC2500V	1 minute
	Output - Power	AC1000V	
Operating Temperature / Humidity	-20 ~ 60°C / 90% (N.C)		
Storage Temperature / Humidity	-20 ~ 80°C / 95% (N.C)		
Dimensions	W96 x H48 x D112(mm)		
Case Material	ABS Resin(white)		
Weight	About 400g		
Mounting	Panel Mounting Type		

CONNECTION EXAMPLE



참조) 2-Wire Sensor(DC24V) 또는 4-20mA 입력시 반드시 NO2, NO3에 250Ω 저항을 연결할 것.

DIMENSION

